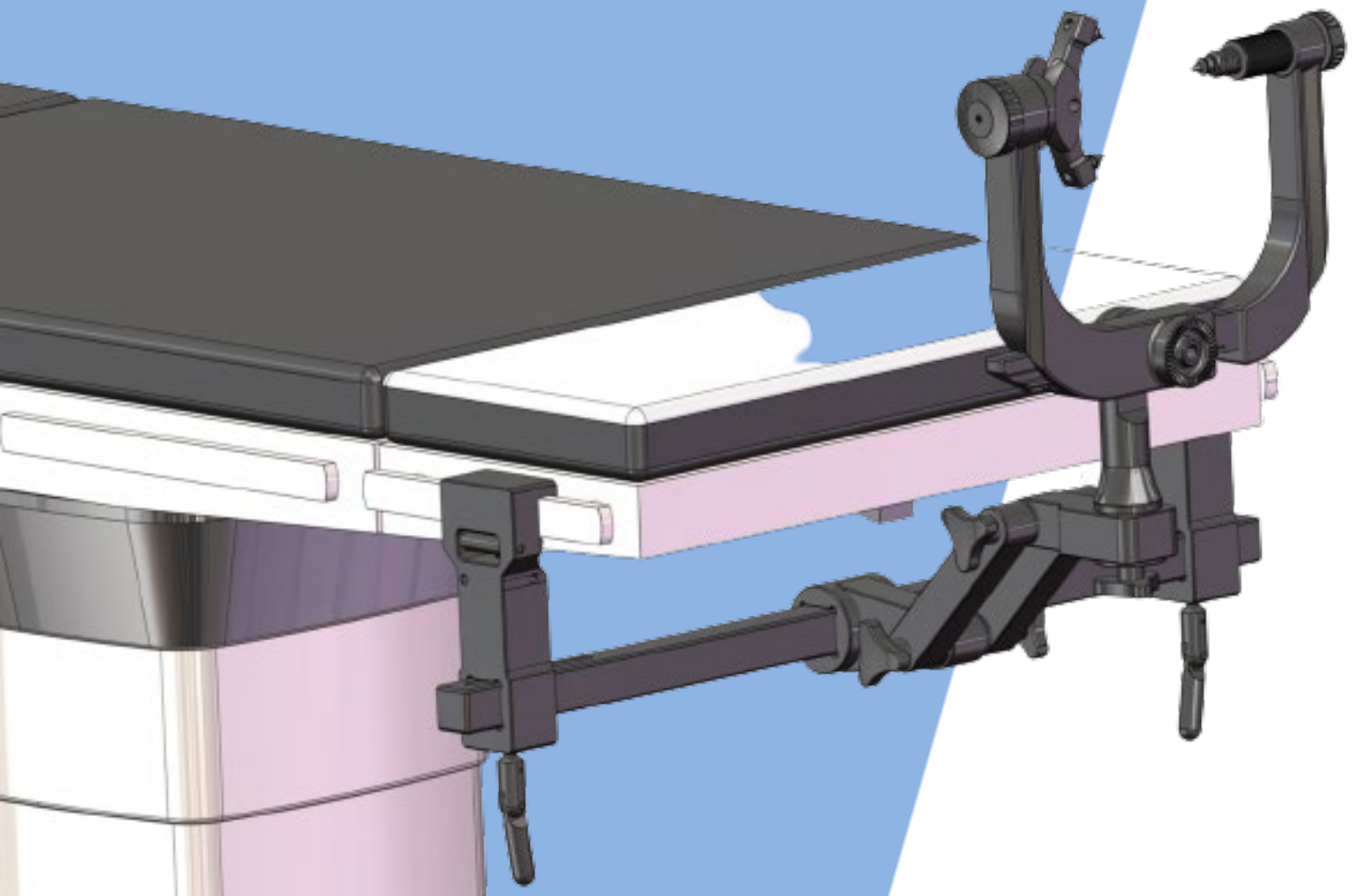
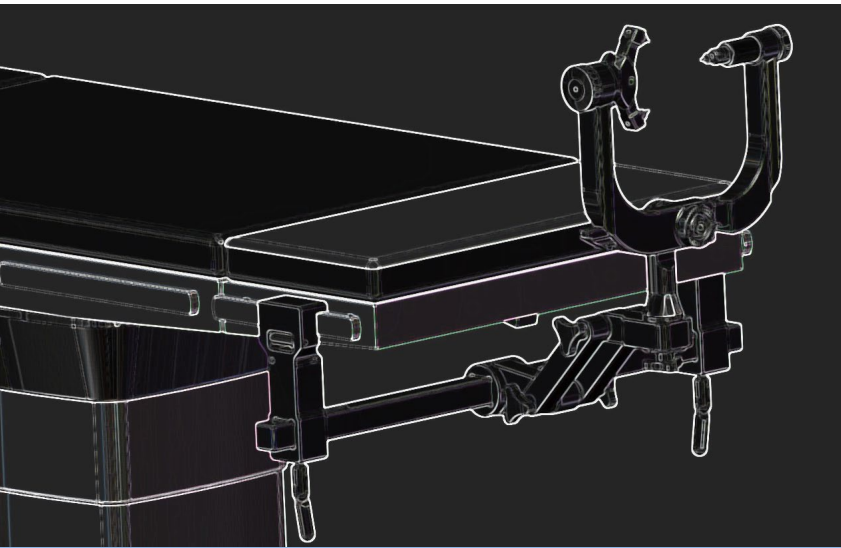


CRANIAL STABILIZATION SYSTEMS



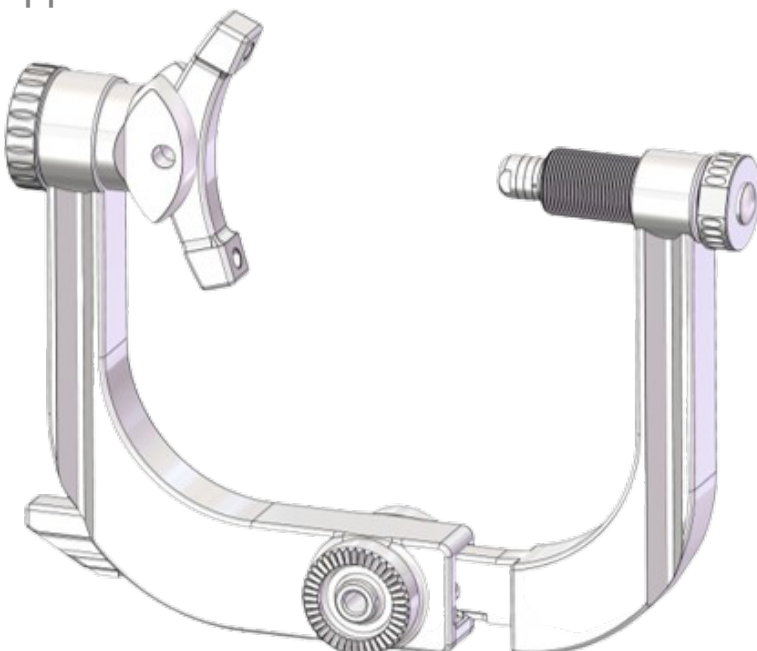


Cranial Stabilization Systems Skull Clamps

Eff Surg Skull Fix

More stability with high-grade materials.

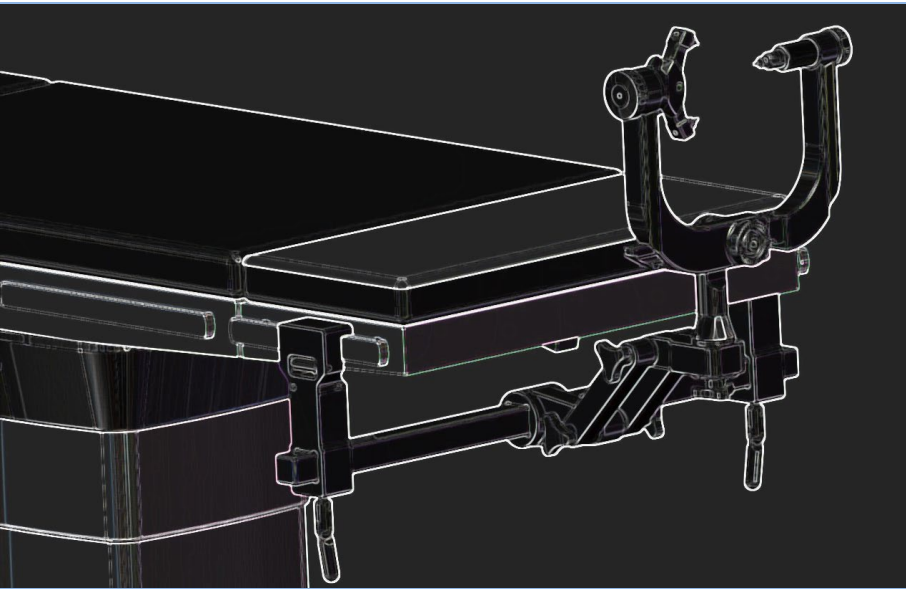
Eff Surg Cranial Stabilization Systems are resistant to high forces thanks to using hard aluminum alloys and Radiolucent. The system is designed for the ultimate stability in order to increase surgery efficiency. Spring loaded pins help determine the compression forces applied to the skull and this allows surgeons to perform more precise operations for adult and pediatric applications.



Skull Fix (Rigid)

Code - 3300.01C

3-point rigid cranial fixation



Cranial Stabilization Systems Skull Clamps

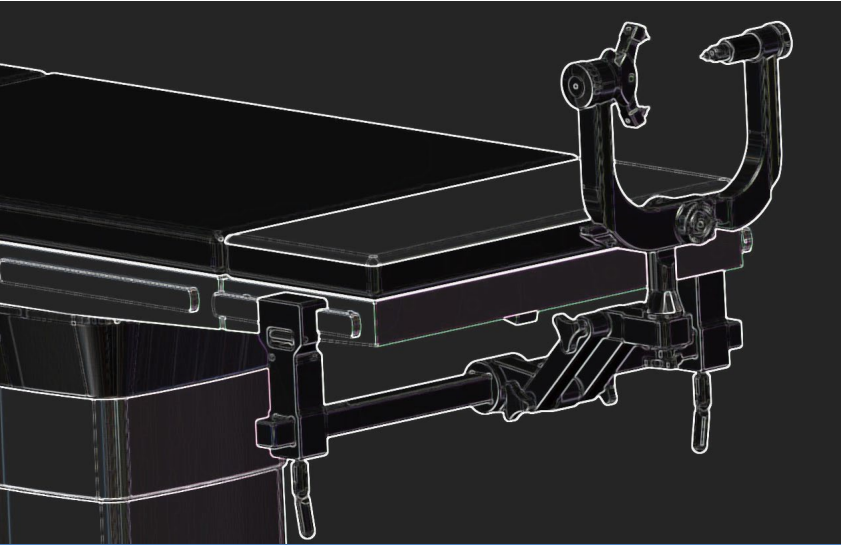
Eff Surg Radiolucent Skull Fix



Radiolucent Skull Fix

Code - 3300.01C

3-point rigid cranial fixation



Cranial Stabilization Skull Clamps

Eff Surg 4Pin System



Radiolucent 4Pin System (Rigid)

Code - 3300.01C

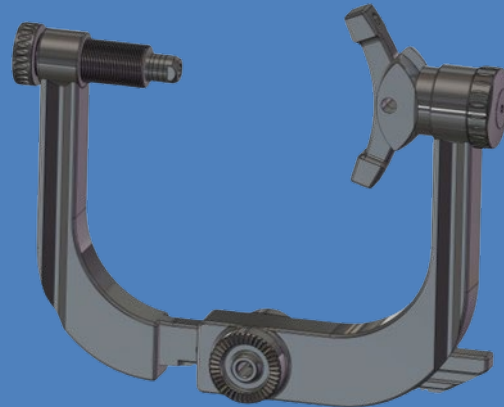
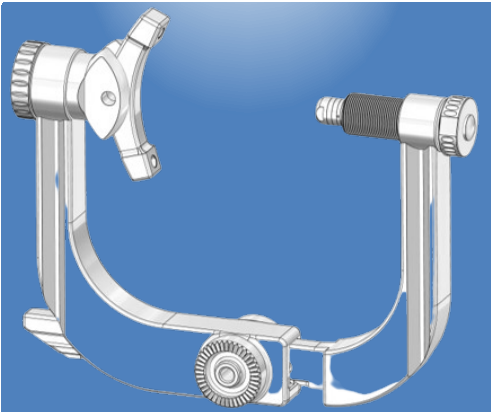
4-point rigid cranial fixation



Aluminium Alloy 4Pin System

Code - 3300.01C

4-point rigid cranial fixation

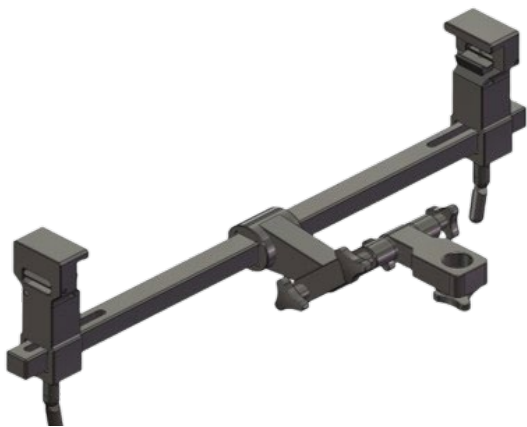


Cranial Stabilization
Skull Clamps

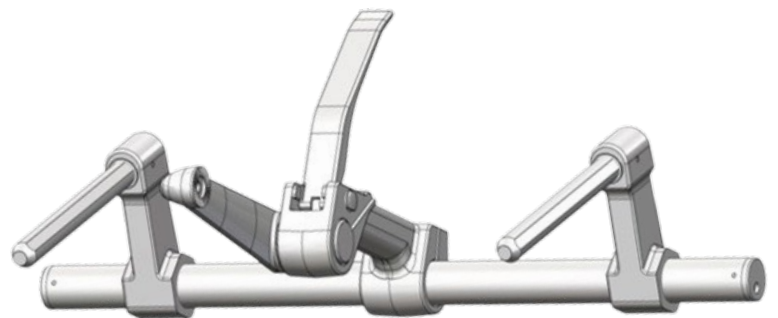
Key Features

- The distance between the fixation arms can be adjusted with the towing pin which is situated on the main body of the system.
- The rails located on the fixation arms simplify the assembly of the halo ring and flexible retractor arms.
- Connection components are compatible with all type of International and Indian operating tables and can be adjusted for supine, prone, side-lying and seated positions.

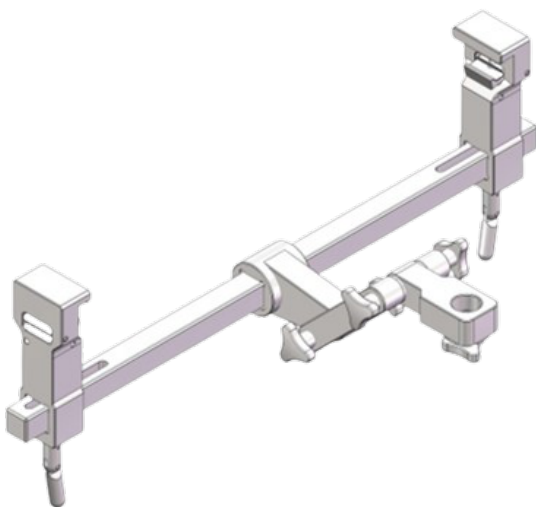
Cranial Stabilization Systems Attachments



Radiolucent Adjustable Base Unit



Adjustable Base Unit Type-1



Adjustable Base Unit Type-2

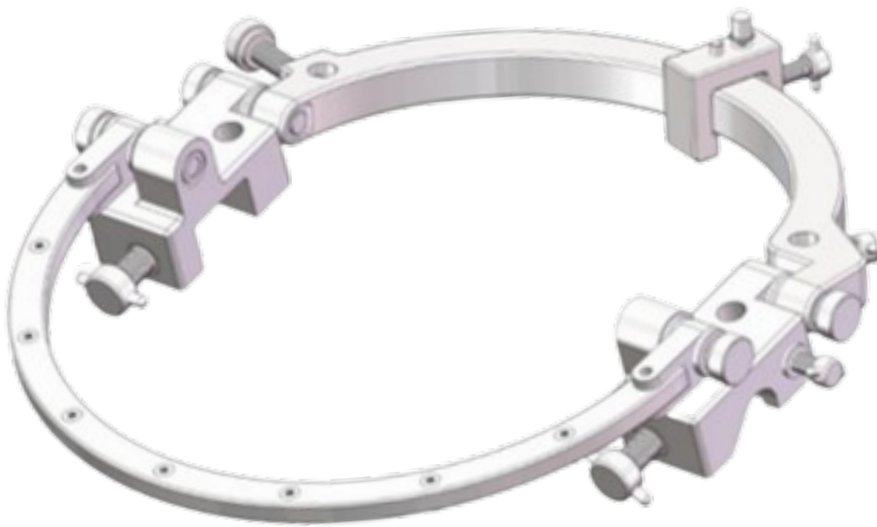


Radiolucent Svivel Adapter

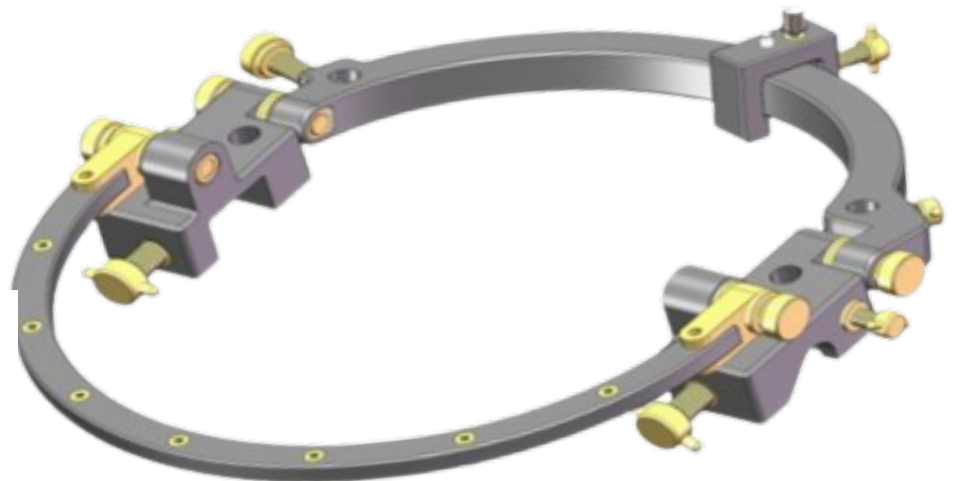


Svivel Adapter

Cranial Stabilization Systems Attachments



Aluminium Alloy Basel Frame



Radiolucent Basel Frame

PINS

Different pin options for all type of procedures.

The pins are manufactured from 2 different kinds of metals: stainless steel, titanium. All pins are sterilizable, long-lasting and durable. In the cranial stabilization set, there are 6 pins available (3 for pediatric, 3 for adult applications).



